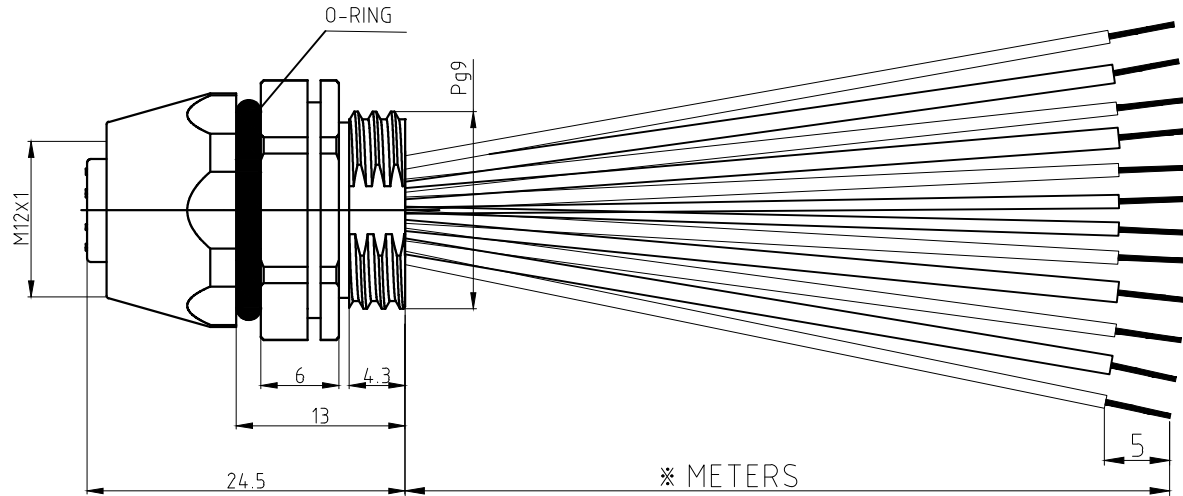
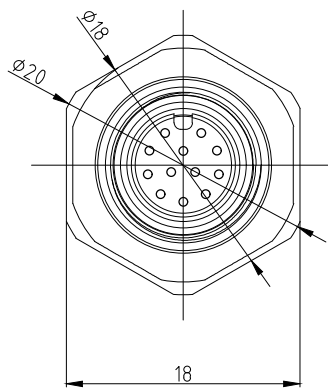



SPECIFICATIONS	
CONTACT CARRIER MATERIAL/COLOR	TPU/BLACK
CONTACT/PLATING	BRASS/GOLD
HOUSING MATERIAL/PLATING	BRASS/NICKEL
O-RING MATERIAL	FKM/NBR
OPERATING CURRENT	2 A
OPERATING VOLTAGE	60 V
CONDUCTOR INSULATION MATERIAL	PVC
NUMBER OF CONDUCTORS (AWG)	12 x 24 AWG
OPERATING TEMPERATURE	-20°C — +85°C
PROTECTION CLASS	IEC IP67



CABLE LENGTH	TOLERANCE
ALL LENGTHS	+4%(OR 50mm) OF LENGTH -0% (OR 0mm) OF LENGTH WHICHEVER IS GREATER
STRIP LENGTH	TOLERANCE
0 - 7mm	± 1.0mm
8 - 29mm	± 1.5mm
30 - 49mm	± 2.0mm
50 - 69mm	± 3.0mm
70 - 100mm	± 4.0mm
over 100mm	± 5.0mm

REV	COUNT	DESCRIPTION OF REVISIONS	BY	CHECKED	DATE

UNIT OF MEASUREMENT		Tianjin Geneuo Technology Co.,Ltd	
MILLIMETER			
Approved: Date:	Date: 2018.4.27	Description: FEK122-※	
Process:YJ F Date:2018.5.24	Scale: 1:1	www.gsee-tech.cn www.gsee-tech.com	
Checked:WY Date:2018.5.3	3RD Angle Projection	REV A	
Designed:LXH Date:2018.4.27		SOURCE DRAWING-FOR REFERENCE ONLY	